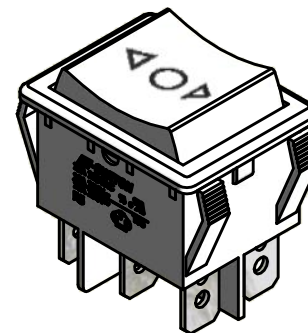
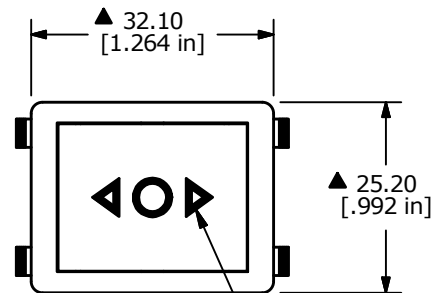


RECOMMENDED PANEL MOUNTING

PANEL THICKNESS	X
0.75-1.25	30.0-30.2
1.25-2.00	30.2-30.4
2.00-3.00	30.6-30.8



▲ GRAPHICS
COLOR: BLACK

▲ ACTUATOR:
WHITE

▲ HOUSING:
WHITE

SWITCH FUNCTION		
POS. 1	POS. 2	POS. 3
(ON)	OFF	(ON)
1-1b,2-2b	OPEN	1-1a,2-2a

() = MOMENTARY

CIRCUIT: DPDT
(ON) OFF (ON)
() = MOMENTARY

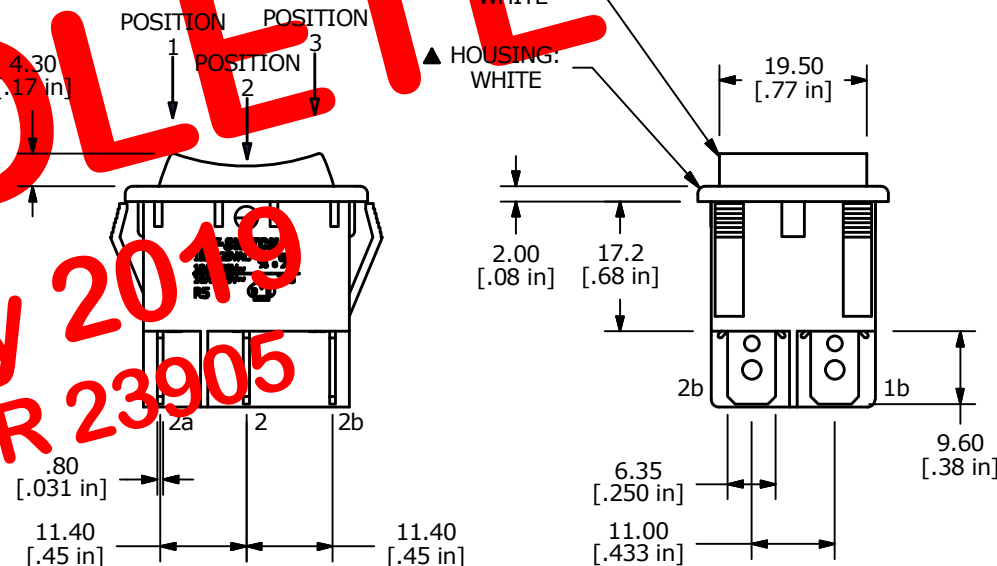
OBSOLETE

May 2019

PCR 23905

NOTES:

1. ALL DIMENSIONS IN MM [INCH]
2. GENERAL TOLERANCE: X.X = ±0.4
X.XX = ±0.25
3. TERM. NOS. FOR REF. ONLY
- ▲ 4. RATING: 10A @250VAC UL APPROVED
15A @125VAC UL APPROVED
16A @250VAC VDE APPROVED
5. ELECTRICAL LIFE: 10,000 CYCLES
6. MECHANICAL LIFE: 30,000 CYCLES
7. CONTACT RESISTANCE: <20 MILLI-OHMS INITIAL
8. DIELECTRIC STRENGTH: >1,500V AC 1MIN
9. INSULATION RESISTANCE: >1000MOHMS
10. OPERATING TEMP: TERMINAL SIDE: -20°C to 85°C
ROCKER SIDE: -20°C to 55°C
11. ▲ DENOTES CRITICAL PARAMETER.
12. 2002/95/EC (ROHS) COMPLIANT



A	22196	RELEASE FOR PRODUCTION	3/14/16	MW
REV	PCR NO	DESCRIPTION	DATE	BY

TITLE R5GWHTWHTHF0				
SCALE	DATE	DR	DWG	REV
1:1	3/14/2016	MW	M050264	A

THE INFORMATION CONTAINED IN THIS DOCUMENT IS PROPRIETARY TO E-SWITCH AND IS NOT TO BE COPIED OR TRANSFERRED